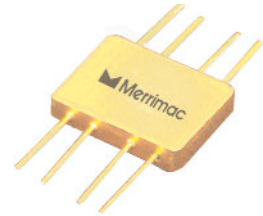




HJF-A-500 SQ 0/180° HYBRID JUNCTION

REV: 001, 03/11/02

- SPACE QUALIFIED
- 5 - 1000 MHz
- BROADBAND, HIGH ISOLATION



TECHNICAL DESCRIPTION / APPLICATION

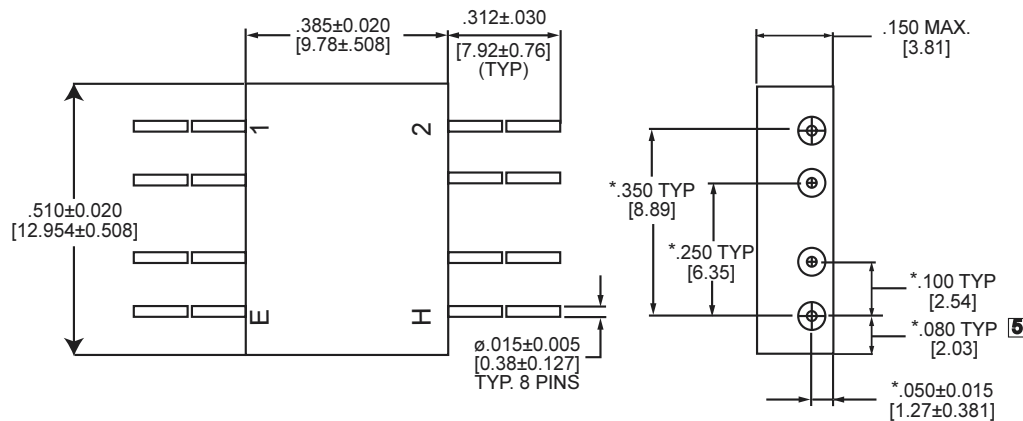
SERIES 03

The HJF-A-500 SQ hybrid junction covers a frequency range of 5 - 1000 MHz using a special lumped element design to reduce the size while maintaining high performance. This device has been designed in accordance with Merrimac document CENG-0001, "Standard Design Requirements for Space Qualified Devices".

GENERAL SPECIFICATIONS

MODEL NUMBER	FREQUENCY RANGE MHz	ISOLATION EH (dB)		INSERTION LOSS dB		AMPLITUDE BALANCE dB		PHASE BALANCE		VSWR INPUT/ OUTPUT	
		MIN.	TYP.	MAX.	TYP.	MAX.	TYP.	MAX.	TYP.	MAX.	TYP.
HJF-A-500 SQ	5 - 1000	25	30	1.7	1.2	0.4	0.2	±4°	±2°	1.4:1	1.2:1
INPUT POWER MAX	COUPLING NOM.	IMPEDANCE NOM.		WEIGHT MAX.		OPERATING TEMPERATURE					
1 W	3.0 dB	50 OHM		2.8 g		-55° to +85 ° C					

PACKAGE OUTLINE



NOTES:

1. TOLERANCE ON 3 PLACE DECIMALS ±.010 [.25mm] EXCEPT AS NOTED.
2. MAX. IS LARGEST DIMENSION ALLOWED.
3. DIMENSIONS = INCHES [mm]
4. METRIC EQUIVALENTS ARE TO THE NEAREST .01mm.
5. ALL LEADS TO BE WITHIN ± .010 [.25mm] OF EACH OTHER AT THIS DIMENSION.
6. DIMENSIONS MARKED WITH * APPLY ONLY AT BODY.
7. ALL UNMARKED PINS ARE CASE GROUND.

E	H	1	2
Isol.	In	0° ref.	0°
In	Isol.	0°	-180°